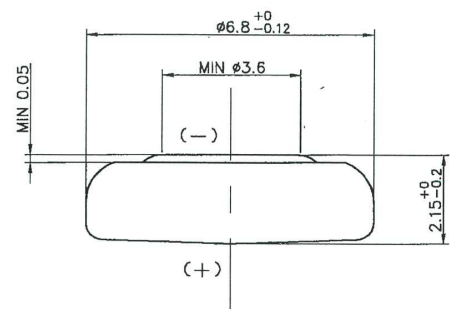


<b>Type</b>	: Mercury and Lead Free Alkaline Battery
<b>Chemical system</b>	: Zinc / Silver Oxide
<b>Nominal voltage</b>	: 1.55 Volts
<b>Nominal Dimension</b>	: Ø6.80mm x 2.15mm
<b>Applications</b>	: Analog watch
<b>Average Weight</b>	: 0.35 grams
<b>Date Code</b>	: Unless otherwise specified, each cell will carry a numeric year code and an alphabetical month code.
<b>Shelf Life</b>	: 5 years at 20°C ± 2°C 65 ± 20%RH
<b>Close Circuit Voltage</b>	: 1.4V(min.)(load resistor 2000Ω at 20±2°C for 0.0078 seconds
<b>Nominal Service Life</b>	: 493hrs (at 47k Ω load) (to 1.2V at 20± 2°C)
<b>Average Service Capacity</b>	: 18mAh (at 47k Ω load) (to 1.2V at 20± 2°C)

Model no.: GP364F



The information (subject to change without prior notice) contained in this document is for reference only and should not be used as a basis for product guarantee or warranty. For applications other than those described here, please consult your nearest GP Sales and Marketing Office or Distributors.